

# TANGO ACE 120



**Ref: 602616  
(UTANGOACE1)**

Super Automatic Espresso Machine

- 1 Group
- 2 Grinders
- No Milk System - Teflon Steam - Std Hot Water
- 380-415V 3N 50/60~Hz
- CE/CB Certified
- Shiny Black

## General Features

The Tango® Ace impresses its users with an exceptional result in every cup, and the quality of its equipment makes it a highly reliable choice for demanding professional use.

The Tango® Ace fitted with a 7 inches touchscreen, offers a 48 drinks menu, all customizable. Milk-based drinks can be easily prepared with the Cappuccinator device or the Steamair milk auto-frother to process fresh milk into specialty coffee drinks as cappuccino, latte, mocha...

# TANGO ACE 120

## Main Features

- 1 group full-automatic machine.
- 6.5 liter steam/coffee boiler.
- Auto cleaning program.
- Programmable water and steam.
- The super automatic coffee machine Tango® Ace impresses its users with an exceptional result in every cup, and the quality of its equipment makes it a highly reliable choice for demanding professional use.
- The Tango® Ace comes in 3 different colors: shiny white, glossy black and brushed stainless steel, fitted with a new 7" color touch screen user interface. This full automatic coffee machine has a 48 drinks menu, all customizable and comprehensive with the addition of the Cappuccinatore device to process fresh into specialty coffee drinks as cappuccino, latte, mocha...
- Delivery capacity:

Espresso 40ml: 220 cups/h

Lungo 100ml: 150 cups/h

Hot water: 30 L/h

## Construction

- 2 coffee grinders (1 x 1,7 kg & 1 x 1,2 kg coffee hoppers).
- LCD Touchscreen.
- PID (proportional–integral–derivative) Temperature control: a precise controller algorithm system that gives consistency and accuracy to brewing temperature management system.

## Optional Accessories

- TANGO hotel/breakfast service kit PNC 871022
- Coffee ground direct discharge chute PNC 871023

# TANGO ACE 120

## Electric

Supply voltage: 400 V/3N ph/50 Hz

Electrical power max.: 5.2 kW

Plug type: Cable without plug

## Water:

Cold water temperature (min/max): 5 / 60 °C

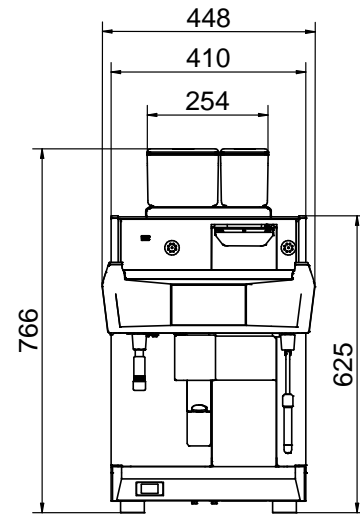
## Key Information:

Net weight: 103 kg

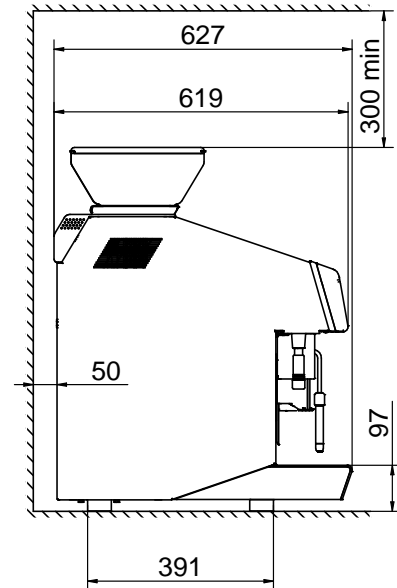
Shipping volume: 0.69 m<sup>3</sup>

Sustainability

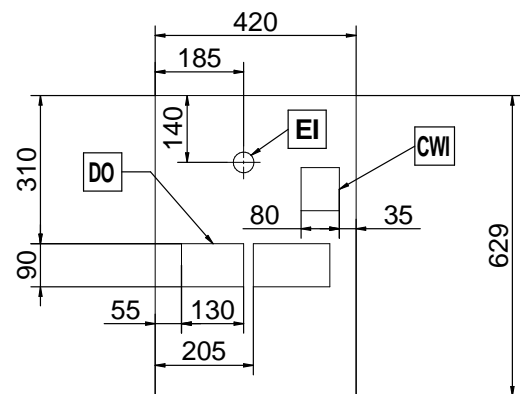
Current consumption: 7.5 Amps



Front



Side



Top

## Certifications



The company reserves the right to make modifications to the products without prior notice. All information correct at time of printing.

2025.04.02

Part of  Electrolux Professional Group

# UNIC